

## Z624 ISOLATION DECK DRAIN



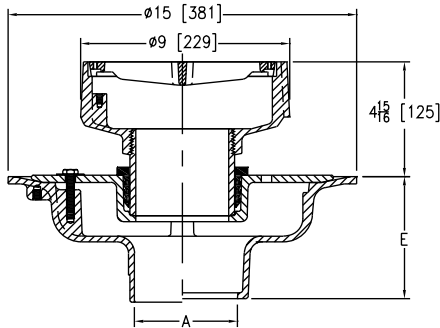
### ENGINEERING SPECIFICATION

Zurn Z624 floating slab drain features Dura-Coated cast iron upper and lower bodies, clamp collar with weep holes, neoprene flex gasket, isolation nipple, and slotted grate.

### NOTES

†Add 3/16" to 4-15/16" dimension for ZN

| A Pipe Size<br>inch [mm] | Grate Open Area<br>sq in [cm <sup>2</sup> ] | Approximate Weight<br>lb [kg] |
|--------------------------|---------------------------------------------|-------------------------------|
| 2 [51], 3 [76], 4 [102]  | 18 [116]                                    | 42 [19]                       |
| 6 [152]                  |                                             |                               |



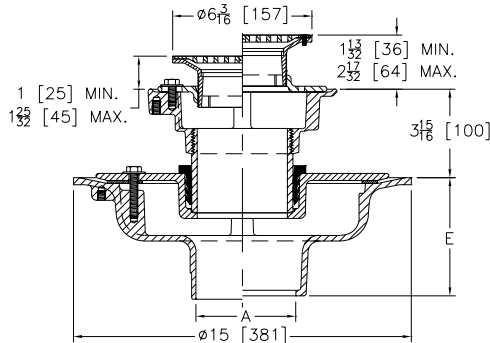
## Z625 ADJUSTABLE ISOLATION DECK DRAIN



### ENGINEERING SPECIFICATION

Zurn ZN625 adjustable isolation deck drain features Dura-Coated cast iron upper and lower bodies, upper and lower clamp collars, neoprene flex gasket, isolation nipple, and adjustable 6" diameter nickel bronze strainer.

| A Pipe Size<br>inch [mm] | Grate Open Area<br>sq in [cm <sup>2</sup> ] | Approximate Weight<br>lb [kg] |
|--------------------------|---------------------------------------------|-------------------------------|
| 2 [51], 3 [76], 4 [102]  | 9 [58]                                      | 42 [19]                       |
| 6 [152]                  |                                             |                               |



| PREFIXES | DESCRIPTION                                   | PIPE SIZE        | LIST PRICE           |
|----------|-----------------------------------------------|------------------|----------------------|
| Z624*    | D.C.C.I. Body and Top                         | 2", 3", 4"<br>6" | 1,686.00<br>1,989.00 |
| ZN624    | D.C.C.I. Body with Polished Nickel Bronze Top | 2", 3", 4"<br>6" | 2,023.00<br>2,324.00 |

| OUTLETS (SPECIFY PIPE SIZE IN INCHES AND TYPE OF OUTLET) |                                 |                    |            |
|----------------------------------------------------------|---------------------------------|--------------------|------------|
| OUTLET TYPE                                              | PIPE SIZE/OUTLET TYPE           | E BODY HT. DIM.    | ADD        |
| NH                                                       | No-Hub                          | 2NH, 3NH, 4NH, 6NH | 5-1/4" N/C |
| NL                                                       | Neo-Loc                         | 2NL, 3NL, 4NL      | 4-5/8" N/C |
| SUFFIXES                                                 |                                 |                    | ADD        |
| -C                                                       | Underdeck Clamp (Lower Body)    |                    | 244.00     |
| -G                                                       | Galvanized Cast Iron            |                    | 1,199.00   |
| -R                                                       | Sump Receiver (Lower Body)      |                    | 272.00     |
| -TS                                                      | Top Secured with Slotted Screws |                    | 129.00     |
| -VP                                                      | Vandal-Proof Secured Top        |                    | 149.00     |
| -Y                                                       | Sediment Bucket (Upper Body)    |                    | 147.00     |

| BEST SELLERS |  | LIST PRICE |
|--------------|--|------------|
| Z624-3NH     |  | 1,686.00   |
| ZN624-3NH    |  | 2,023.00   |
| ZN624-4NH    |  | 2,023.00   |
| Z624-6NH     |  | 1,989.00   |

| PREFIXES | DESCRIPTION                                   | PIPE SIZE        | LIST PRICE           |
|----------|-----------------------------------------------|------------------|----------------------|
| ZN625*   | D.C.C.I. Body with Polished Nickel Bronze Top | 2", 3", 4"<br>6" | 1,432.00<br>1,734.00 |
| ZB625    | D.C.C.I. Body with Polished Bronze Top        | 2", 3", 4"<br>6" | 1,378.00<br>1,680.00 |

| OUTLETS (SPECIFY PIPE SIZE IN INCHES AND TYPE OF OUTLET) |                                        |                    |            |
|----------------------------------------------------------|----------------------------------------|--------------------|------------|
| OUTLET TYPE                                              | PIPE SIZE/OUTLET TYPE                  | E BODY HT. DIM.    | ADD        |
| NH                                                       | No-Hub                                 | 2NH, 3NH, 4NH, 6NH | 5-1/4" N/C |
| NL                                                       | Neo-Loc                                | 2NL, 3NL, 4NL      | 4-5/8" N/C |
| SUFFIXES                                                 |                                        |                    | ADD        |
| -C                                                       | Underdeck Clamp (Lower Body)           |                    | 244.00     |
| -G                                                       | Galvanized Cast Iron                   |                    | 1,143.00   |
| -PC                                                      | Protective Cover                       |                    | 64.00      |
| -R                                                       | Sump Receiver (Lower Body)             |                    | 272.00     |
| -U                                                       | 3" High Extension Adapter (Upper Body) |                    | 140.00     |
| -VP                                                      | Vandal-Proof Secured Top               |                    | 58.00      |
| -Y                                                       | Sediment Bucket (Upper Body)           |                    | 109.00     |

| BEST SELLERS |  | LIST PRICE |
|--------------|--|------------|
| ZN625-3NH    |  | 1,432.00   |
| ZN625-4NH    |  | 1,432.00   |

\*Regularly furnished unless otherwise specified.

Items designated as Best Sellers are most specified and are generally in stock for shipment.

⌚ This symbol denotes a product that is engineered to reduce installation and rework time.

For additional product information, please visit [www.zurn.com](http://www.zurn.com)

INTRO  
 ROOF DRAINS  
 FLOOR DRAINS  
 T, P, BW VALVES  
 INTERCEPTORS  
 CARRIERS  
 HYDRANTS  
 CLEANOUTS  
 W/H  
 SS DRAINS  
 FAB SS DRAINS  
 SANI-FLOOR  
 TECH INFO